



Operating Instructions

For the following types:

1.033 CAN I/O PLC

1.047 CAN Relay Box

1.053 CAN I/O PLC Waterproof

1.107.1 Micro PLC CAN 12 V

1.107.2 Micro PLC CAN 24 V

1.107.3 Micro PLC CAN 9-30 V

1.107.9 Micro PLC CAN DTM

1.108 PROP CAN

1.111 Micro PLC CAN 4 I/O

1.112 Micro PLC CAN 4 ANA

1.112.9 Micro PLC CAN 4 ANA DTM

1.128 CAN I/O PLC Waterproof PRO V2

1.129 CAN I/O PLC LHS

1.154 CAN I/O CC16WP

1.158 Micro PLC CAN Relay 32-bit

1.168 PROP CAN 2CH

1.168.9 PROP CAN 2CH DTM

1.169 CC27 WP

1.261 M2600 ECO CAN PLC

1.300 M3600 CAN PLC

Contact Data

MRS Electronic GmbH & Co. KG
Klaus-Gutsch-Str. 7
78628 Rottweil
Germany

Telephone: +49 741 28070
Internet: <https://www.mrs-electronic.com>
E-mail: info@mrs-electronic.com

Product

Product designation: Connected Controllers

Types:

- 1.033 CAN I/O PLC
- 1.047 CAN Relay Box
- 1.053 CAN I/O PLC Waterproof
- 1.107.1 Micro PLC CAN 12 V
- 1.107.2 Micro PLC CAN 24 V
- 1.107.3 Micro PLC CAN 9-30 V
- 1.107.9 Micro PLC CAN DTM
- 1.108 PROP CAN
- 1.111 Micro PLC CAN 4 I/O
- 1.112 Micro PLC CAN 4 ANA
- 1.112.9 Micro PLC CAN 4 ANA DTM
- 1.128 CAN I/O PLC Waterproof PRO V2
- 1.129 CAN I/O PLC LHS
- 1.154 CAN I/O CC16WP
- 1.158 Micro PLC CAN Relay 32-bit
- 1.168 PROP CAN 2CH
- 1.168.9 PROP CAN 2CH DTM
- 1.169 CC27 WP
- 1.261 M2600 ECO CAN PLC
- 1.300 M3600 CAN PLC

Serial Number: see type plate



Document

Name: VST_OI1_2.3
Version: 2.3
Date: 01/2025

The original operating instructions were composed in German.

MRS Electronic GmbH & Co. KG compiled this document with the utmost diligence and based on the current state of technology. MRS Electronic GmbH & Co. KG will not assume any liability or responsibility for errors in content or form, missing updates as well as any possibly resulting damages or drawbacks.

Our products are developed according to European norms and standards. Therefore, the use of these products is currently limited to the area of the European Economic Area (EEA). If products are to be used in another area, market access research must be carried out beforehand. You can do this yourself as the market introducer or you are welcome to contact us and we will discuss how to proceed together.

Index

- 1. User Information..... 5
 - 1.1. About These Operating Instructions..... 5
 - 1.2. Copyright..... 7
 - 1.3. Warranty Conditions 7
- 2. Safety 8
 - 2.1. Hazards..... 8
 - 2.2. Staff Qualifications..... 10
 - 2.3. Obligations of the Manufacturer of Complete Systems 10
- 3. Product Description..... 12
- 4. Transport and Storage..... 13
 - 4.1. Transport 13
 - 4.2. Storage 13
- 5. Intended Use..... 14
- 6. Assembly..... 15
 - 6.1. Mounting Location 15
 - 6.2. Mounting Position 15
 - 6.3. Fastening 15
- 7. Electric Installation and Wiring..... 17
 - 7.1. Electric Installation..... 17
 - 7.2. Wiring 19
- 8. Commissioning..... 21
- 9. Software 22
- 10. Fault Removal and Maintenance 23
 - 10.1. Cleaning 24
 - 10.2. Fault Removal 24
- 11. Disassembly and Disposal..... 25
 - 11.1. Disassembly 25
 - 11.2. Disposal..... 25

1. User Information

1.1. About These Operating Instructions

The manufacturer MRS Electronic GmbH & Co. KG (hereinafter referred to as MRS) delivered this product to you in its entirety and functionally sound. The operating instructions provide information about how to:

- Install the product
- Service the product (cleaning)
- Uninstall the product
- Dispose of the product

It is essential to read these operating instructions thoroughly and completely before working with the product. We strive to compile all the information for safe and complete operation. However, should you have any questions not answered by these instructions, please contact MRS.

Storage and transfer of the operating instructions

These instructions as well as all other product-related documentation relevant for different applications must always be kept on hand and be available in the vicinity of the product.

Target group of the operating instructions

These instructions address trained experts who are familiar with handling electronic assemblies. Trained experts are those persons who can assess the tasks assigned to her/him and recognize possible dangers due to her/his expert training, knowledge and experience as well as her/his knowledge of the relevant standards and regulations.

Validity of the operating instructions

The validity of these instructions goes into effect with the transfer of the product from MRS to the operator. The version number and approval date of the instructions are included in the footer. Changes to these operating instructions are possible any time and without the specification of any reasons.

INFORMATION



The current version of the operating instructions replaces all previous versions.

Warning information in the operating instructions

The operating instructions contain warning information before a call to action which includes the risk of property damage or personal injury. The measures for averting risks described in the instructions must be implemented. Warning information is structured as follows:

DANGER!



SOURCE AND CONSEQUENCE

Plus explanation, where needed.

► Prevention.

- Warning symbol: (Warning triangle) indicates the danger.
- Signal word: Specifies the seriousness of the danger.
- Source: Designates the type or source of the danger.
- Consequence: Specifies the consequences in case of noncompliance.
- Prevention: Informs how to avert the danger.

DANGER!



Designates an immediate, serious threat which will with certainty lead to serious injury or even death if the danger is not averted.

WARNING!



Designates a possible threat which may lead to serious injury or even death if the danger is not averted.

CAUTION!



Designates a potentially dangerous situation which may lead to mild or medium property damage or physical injury if the danger is not averted.

INFORMATION



Sections with this symbol provide important information about the product or how to handle the product.

Symbols used in the operating instructions



General warning sign.



Beware of electrical current.



Beware of hot surface.

1.2. **Copyright**

These operating instructions contain information protected by copyright. The contents or excerpts of the contents may not be copied or reproduced in any other way without prior consent from the manufacturer.

1.3. **Warranty Conditions**

See the General Terms and Conditions MRS Electronic GmbH & Co. KG at <https://www.mrs-electronic.com/en/terms>

2. Safety

This chapter includes all the information you should know in order to safely install and operate the product.

2.1. Hazards

The connected controllers have been constructed with the newest technology and recognized safety-relevant regulations. Danger for persons and/or property may arise in case of improper use. Lack of compliance with the rules for work safety may result in damages. This section describes all the possible hazards which may be relevant during the assembly, installation and commissioning of the control unit.

Faulty operations

Faulty software, circuits or parameter setting may cause unforeseen reactions or malfunctions through the complete system.

WARNING!



DANGER DUE TO MALFUNCTION OF THE COMPLETE SYSTEM

Unforeseen reactions or malfunctions of the complete system may endanger the safety of people and machine.

- ▶ Please make sure that the control unit is equipped with the proper software and that the circuits and parameter settings are compliant with the hardware.

Inappropriate operation

The control unit may only be operated as instructed in the data sheet.
The control unit may only be operated by battery, not by mains supply.

WARNING!



DANGER DUE TO MALFUNCTION OF THE COMPLETE SYSTEM

Unforeseen reactions or malfunctions of the complete system may endanger the safety of people and machine.

- ▶ Please make sure that the control unit is only operated as instructed in the data sheet, and that it is only operated by battery.

Moving components

The complete system may create unforeseen dangers when commissioning and servicing the control unit.

WARNING!



SUDDEN MOVEMENTS OF COMPLETE SYSTEM OR OF COMPONENTS

Danger due to unprotected moving components.

- ▶ Before performing any work, shut down the complete system and secure it against unintended restart.
- ▶ Before commissioning the system, please make sure that the complete system and all parts of the system are in a safe state.

Touching of contacts and pins

WARNING!



DANGER DUE TO MISSING PROTECTION OF TOUCHING!

The protection of touching contacts and pins must be ensured.

- ▶ Use the watertight socket including supplied protection caps (for modules 1.107.1, 1.107.2, 1.107.3, 1.108, 1.111, 1.112, and 1.158), the socket (for module 1.168), the corrugated tube and protection cap (for modules 1.053, 1.128, 1.154, 1.169, 1.261, and 1.300), or the supplied seals (for modules 1.107.9, 1.112.9, and 1.168.9), respectively, as per the accessories list in the data sheet to ensure contact protection for contacts and pins.

Non-compliance with IP protection class

WARNING!



DANGER DUE TO NON-COMPLIANCE WITH THE IP PROTECTION CLASS!

Compliance with the IP protection class specified in the data sheet must be ensured.

- ▶ Use the watertight socket including supplied protection caps (for modules 1.107.1, 1.107.2, 1.107.3, 1.108, 1.111, 1.112, and 1.158), the corrugated tube and protection cap (for modules 1.053, 1.128, 1.154, 1.169, 1.261, and 1.300), or the supplied seals (for modules 1.107.9, 1.112.9, and 1.168.9), respectively, as per the accessories list in the data sheet to ensure compliance with the IP protection class specified in the data sheet.

Elevated temperature

CAUTION!



DANGER OF BURNS!

The casing of the control units may exhibit an elevated temperature.

- ▶ Please do not touch the casing and let all system components cool down before working on the system.

2.2. Staff Qualifications

These operating instructions repeatedly refer to the qualifications of the employees who can be trusted to perform various tasks for installation and maintenance. The three groups are:

- Specialists/Experts
- Skilled persons
- Authorized persons

This product is not suitable for use by persons (incl. children) who are mentally or physically disabled or do not have enough experience or sufficient knowledge of the product unless supervised or having attended a detailed training regarding the use of the control unit by a person who is responsible for the safety of this person.

Specialists/Experts

Specialists and experts are, for example, fitters or electrician who are capable of assuming different tasks, such as transport, assembly and installation of the product with the instructions of an authorized person. The people in question must be experienced in handling the product.

Skilled persons

Skilled persons are those persons who have sufficient knowledge of the subject in question due to their specialist training and are familiar with the relevant national occupational protection provisions, accident prevention regulations, guidelines and generally recognized rules of technology. Skilled persons must be capable of securely assessing the results of their work and familiarize themselves with the contents of these operating instructions.

Authorized persons

Authorized persons are those persons who are permitted to perform the work due to legal regulations or who have been approved to perform certain tasks by MRS.

2.3. Obligations of the Manufacturer of Complete Systems

- Tasks for system development, installation and commissioning of electric systems may only be performed by trained and experienced staff, see Chapter 2.2 Staff Qualifications.
- The manufacturer of the complete system must ensure that no defective or faulty control units are used. In case of failure or malfunctions, the control unit must be replaced immediately.
- The manufacturer of the complete system must ensure that the circuitry and programming of the control unit do not lead to a safety-relevant malfunction of the complete system in case of a failure or malfunction.
- The manufacturer of the complete system is responsible for the correct connection of all the peripherals (such as cable profiles, protection against touching, plugs, crimps, correct selection/connection of sensors/actuators).
- The control unit may not be opened.

- No changes and/or repairs may be performed on the control unit.
- If the control unit falls down, it may no longer be used and must be returned to MRS to be checked.
- The manufacturer of the complete system must inform the end customer about all potential dangers.

The manufacturer must also take the following aspects into consideration when using the control unit:

- Control units with wiring suggestions provided by MRS do not constitute a systematic responsibility for complete systems.
- Safe operation cannot be guaranteed for control units used as prototypes or samples in the complete system.
- Faulty circuitry and programming of the control unit may lead to unforeseen signals to the outputs of the control unit.
- Faulty programming or parameter setting of the control unit may lead to dangers during operation of the complete system.
- It must be ensured when the control unit is released that the supply of the electric system, of the final stages and of the external sensor supply are shut down jointly.
- Control units without factory-made software programmed more than 500 times may not be used in complete systems any longer.

The risk of accidents is reduced if the manufacturer of the complete systems observes the following points:

- Adherence to the statutory regulations regarding accident prevention, occupational safety and environmental protection.
- Provision of all documents required for installation and maintenance.
- Monitoring of the cleanliness of the control unit and of the complete system.
- The responsibilities for the assembly of the control unit must be clearly specified by the manufacturer of the complete system. The assembly and maintenance staff must be regularly instructed.
- Any work and maintenance performed on electric energy sources is always associated with possible dangers. Persons not familiar with these kinds of devices and systems may cause harm to themselves and others.
- The installation and maintenance staff of a system with electric devices must be instructed by the manufacturer regarding potential dangers, required safety measures and applicable safety provisions before beginning work.

3. Product Description

The connected controllers by MRS Electronic are used for the expansion of existing CAN control but can also be used as independent PLC control units.

For controllers with HCS08 or HCS12 Processor (see datasheet): The software tool CANgraph and the suitable flash programming tool MRS Developers Studio or programming with a C-programming system are used for graphic programming.

For controllers with S32K Processor (see datasheet): You can program the controllers with our Applies Studio. With the graphical programming environment developed in-house and the improved programming options, it is now even easier to program your application. You can find the documentation online at: <https://applies.dev/>

4. Transport and Storage

4.1. Transport

The product must be packed in suitable transport packaging and secured against sliding around. During transport, the statutory provisions regarding securing loads must be observed.

If the control unit falls down, it may no longer be used and must be returned to MRS to be checked.

4.2. Storage

Store the product in a dry place (no dew), dark (no direct sunlight) in a clean room which can be locked. Please observe the permissible environmental conditions in the data sheet.

5. Intended Use

The control unit is used to control one or multiple electric systems or sub-systems in vehicles and self-propelled work machines and may only be used for this purpose.

You are within regulations:

- If the control unit is operated within the operating ranges specified and approved in the corresponding data sheet.
- If you strictly adhere to the information and sequence of tasks described in these operating instructions and do not engage in unauthorized actions which may risk your safety and the functionality of the control unit.
- If you comply with all specified safety instructions.

WARNING!



DANGER DUE TO UNINTENDED USE!

The control unit is only intended to be used in vehicles and self-propelled work machines.

- ▶ An application in safety-relevant system parts for functional safety is not permitted.
- ▶ Please do not use the control unit in explosive areas.

Misuse

- Use of the product in conditions and requirements differing from those specified by the manufacturer in technical documentation, data sheets and operating instructions.
- Non-compliance with the safety information and information regarding assembly, commissioning, maintenance and disposal specified in the operating instructions.
- Conversions and changes of the control unit.
- Use of the control unit or parts thereof which are damaged or corroded. The same goes for seals and cables.
- Operation in a condition with access to live parts.
- Operation without the safety measures intended and provided by the manufacturer.

MRS only guarantees/is liable for the control unit corresponding to the published specifications. If the product is used in a way not described in these operation instructions or in the data sheet of the control unit in question, the protection of the control unit will be impaired, and the warranty claim is void.

6. Assembly

Assembly work may only be performed by qualified staff (see Chapter 2.2 Staff Qualifications). The control unit may only be operated after having installed in a fixed location.

INFORMATION



If the control unit falls down, it may no longer be used and must be returned to MRS to be checked.

6.1. Mounting Location

The mounting location must be selected as such that the control unit is subjected to as low a mechanical and thermal load as possible. The control unit may not be exposed to chemicals.

INFORMATION



Please observe the permissible environmental conditions in the data sheet.

6.2. Mounting Position

Mount the control unit in such a way that the connectors point downwards. This ensures that possible condensation water can flow off. Individual seals of the cables/wires ensure that no water can enter the control unit. Compliance with the IP protection class and protection against touching must be ensured by using the appropriate accessories in accordance with the accessories list in the data sheet.

6.3. Fastening

Control unit with flat plugs (pursuant to ISO 7588-1: 1998-09)

Control units with flat plugs are plugged into the plugs provided by the manufacturer of the complete system. Please observe the instructions in chapter 7 Electric Installation.

Control unit with fastening straps

The control unit must be screwed to the complete system at both side fastening straps. The selection of the connecting elements, securing the connections and the torque are determined by the manufacturer of the complete system. Unless otherwise specified by the manufacturer of the complete system, flat-head screws must be used. These must be fastened with a tightening torque of min. 1.6 Nm and max. 2 Nm. Please observe the specified hole distance in the data sheet.

Control unit with mounting brackets in metal housing

The control unit must be screwed to the overall system at both lateral fastening lugs. The selection of the fasteners used, the securing of the connections, and the tightening torque are determined by the manufacturer of the complete system. Unless otherwise specified by the manufacturer of the complete system, M6 screws with a washer and a spring washer must be used. These must be fastened with a tightening torque of min. 10 Nm and max. 14 Nm. Observe the hole spacing specified in the data sheet. The installation angle must be observed!

Control unit with boreholes

The control unit must be screwed to all boreholes of the casing of the complete system. The selection of the connecting elements, securing the connections and the torque are determined by the manufacturer of the complete system. Please observe the specified hole distances in the data sheet.

7. Electric Installation and Wiring

7.1. Electric Installation

Electric installation work may only be performed by qualified staff (see Chapter 2.2 Staff Qualifications). The electric installation of the control unit may only be performed in idle condition. The control unit may never be connected or disconnected on-load or when live.

WARNING!



SUDDEN MOVEMENTS OF COMPLETE SYSTEM OR OF COMPONENTS

Danger due to unprotected moving components.

- ▶ Before performing any work, shut down the complete system and secure it against unintended restart.
- ▶ Please make sure that the complete system and all parts of the system are in a safe state.
- ▶ Please ensure that the control unit is connected correctly. Check the pin assignment.

Control unit with flat plugs (pursuant to ISO 7588-1: 1998-09)

1. Please ensure that the control unit is inserted into the correct slot. Follow the connection diagram and documents of the complete system.
2. Please ensure that all flat plugs of the control unit are free of dirt and moisture.
3. Please ensure that the slot does not exhibit any damages due to overheating, insulation damages and corrosion.
4. Please ensure that all sockets of the control unit are free of dirt and moisture.
5. If the control unit is used in a vibrating environment, the control unit must be secured by a latch to prevent it from shaking loose.
6. Plug the control unit vertically all the way into the slot.
 - ▶ The commissioning process can now be performed, see Chapter 8 Commissioning.

Control unit with plug connectors

1. Please ensure that the correct cable harness is connected to the control unit. Follow the connection diagram and documents of the complete system.
2. Please ensure that the mating plug of the cable harness (not included) is compatible.
3. Please ensure that the control unit is free of dirt and moisture.
4. Please ensure that the mate plug of the cable harness (not included) does not exhibit any damages due to overheating, insulation damages and corrosion.
5. Please ensure that the mating plug of the cable harness (not included) is free of dirt and moisture.
6. Connect the plug connector until the locking catch latches or the locking mechanism (optional) can be actuated.
7. Lock the plug or ensure that the grommet (optional) of the mating plug is fully attached.
8. If the control unit is used in a vibrating environment, the control unit must be secured by a latch to prevent it from shaking loose.
9. Close the open pins with blind plugs to prevent liquids from entering.
 - ▶ The commissioning process can now be performed, see Chapter 8 Commissioning.

Modules 1.053, 1.128, and 1.154

To comply with the IP protection class, the wiring harness attached to the mating connector must be routed through the corrugated tube and the mating connector must be connected to the control unit. The protection cap is then closed over the mating connector and the corrugated tube.

Modules 1.169, 1.261, and 1.300

To comply with the IP protection class, the wiring harness attached to the mating connector must be routed through the cable harness sheath and the mating connector must be connected to the control unit. The cover included in the connector kit must then be closed over the mating connector. The cable harness sheath must be secured in the groove in the cover using cable ties (see Figure 1).

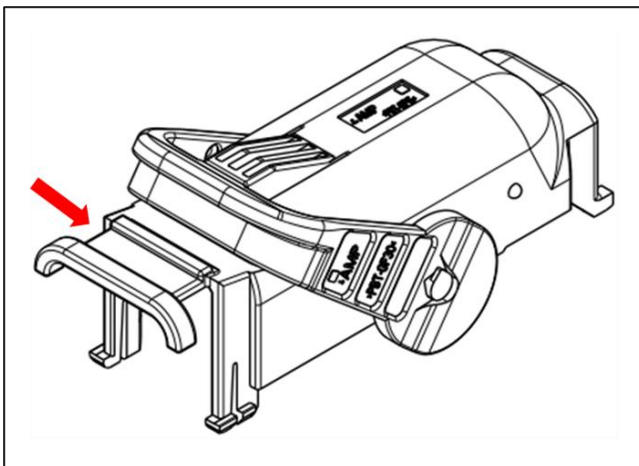


Figure 1: Cover as in the connector kit. The red arrow marks the groove in which the cable harness sheath must be secured. Cover may vary.

7.2. Wiring

INFORMATION



Always use an external fuse in the power supply line to protect the device against overvoltage. For further information about the correct fuse rating, please refer to the corresponding data sheet.

- The wiring must be connected with the utmost diligence.
- All cables and the way they are laid must comply with applicable regulations.
- The connected cables must be suitable for temperatures min. 10 °C above the max. permitted environmental temperature.
- The cables must comply with the requirements and wire cross-sections specified in the technical data.
- When laying cables, the possibility of mechanical damages of the wire insulation on sharp edges or moving metal parts must be excluded.
- Cables must be laid so they are strain-relieved and friction-free.
- The cable routing must be selected in such a way that the cable harness only moves identically to the direction of movement of the controller/plug. (Attachment controller/cable/strain relief on the same underground). A strain relief is necessary (see Figure 2 and Figure 3).

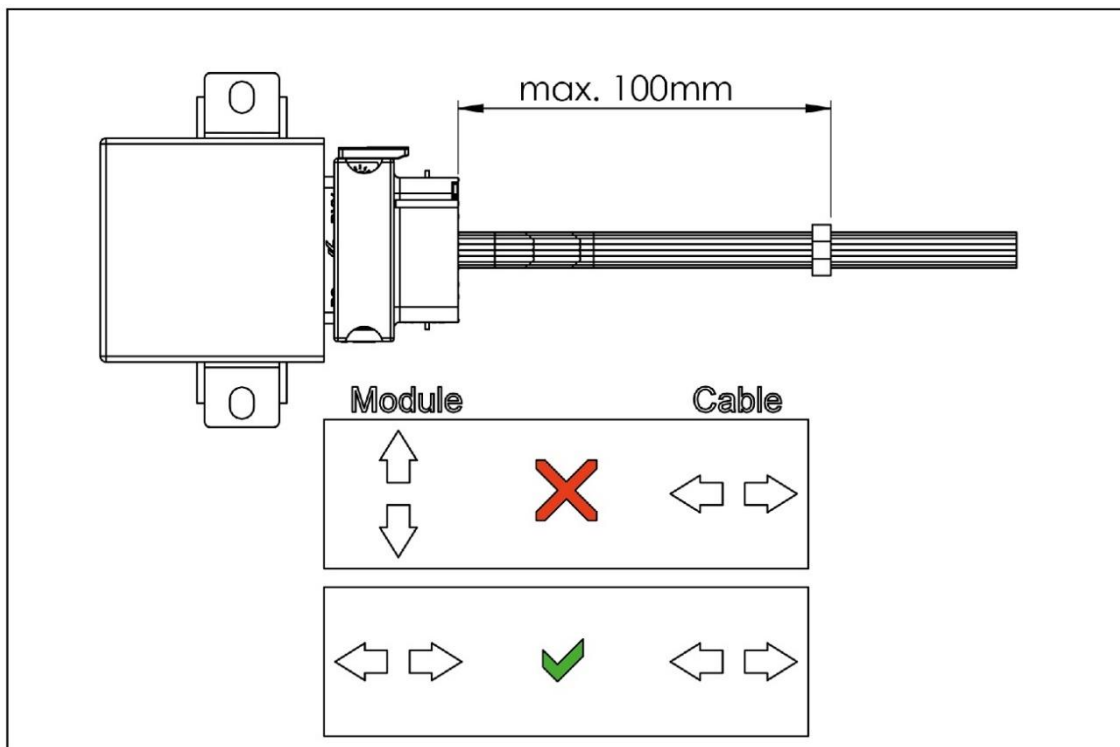


Figure 2: Strain relief of the cable harness (example). 100 mm (max.) are mandatory, controller may vary.

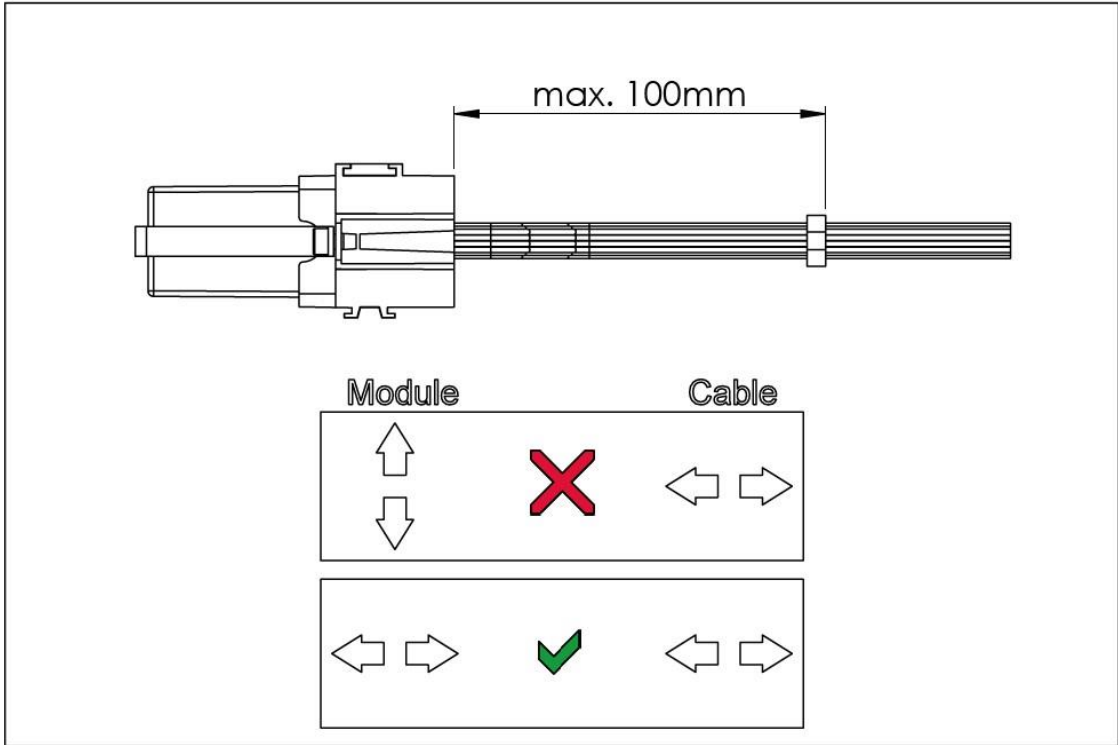


Figure 3: Strain relief of the cable harness (example). 100 mm (max.) are mandatory, controller may vary.

8. Commissioning

Commissioning work may only be performed by qualified staff (see Chapter 2.2 Staff Qualifications). The unit may only be commissioned if the condition of the complete system complies with the applicable guidelines and regulations.

INFORMATION



MRS recommends a functional test on site.



WARNING!



SUDDEN MOVEMENTS OF COMPLETE SYSTEM OR OF COMPONENTS

Danger due to unprotected moving components.

- ▶ Before commissioning the system, please make sure that the complete system and all parts of the system are in a safe state.
- ▶ If necessary, secure all hazard areas with barrier tapes.

The operator must ensure that

- the correct software has been embedded and corresponds with the circuitry and parameter setting of the hardware (only for control units supplied by MRS without software).
- no persons are present in the vicinity of the complete system.
- the complete system is in a safe state.
- commissioning is performed in a safe environment (horizontal and solid ground, no weather impact).

9. Software

The installation and/or replacement of device firmware / software must be performed by MRS Electronic GmbH & Co. KG or by an authorized partner in order for the warranty to remain valid.

INFORMATION



Control units supplied without software can be programmed using MRS Developers Studio.
▶ More information available in the MRS Developers Studio manual.

10. Fault Removal and Maintenance

INFORMATION



The control unit is maintenance-free and may not be opened.

- ▶ If the control unit exhibits any damages on the casing, locking catch, seals or flat plugs, it must be shut down.

Fault removal and cleaning work may only be performed by qualified staff (see Chapter 2.2 Staff Qualifications). Fault removal and cleaning work may only be performed in idle condition. Remove the control unit for fault removal and cleaning. The control unit may never be connected or disconnected on-load or when live. After fault removal and cleaning work has been completed, please follow the instructions in Chapter 7 Electric Installation.

WARNING!



SUDDEN MOVEMENTS OF COMPLETE SYSTEM OR OF COMPONENTS

Danger due to unprotected moving components.

- ▶ Before performing any work, shut down the complete system and secure it against unintended restart.
- ▶ Before beginning fault removal and maintenance work, please make sure that the complete system and all parts of the system are in a safe state.
- ▶ Remove the control unit for fault removal and cleaning.

CAUTION!



DANGER OF BURNS!

The casing of the control unit may exhibit an elevated temperature.

- ▶ Please do not touch the casing and let all system components cool down before working on the system.

CAUTION!



DAMAGE OR SYSTEM FAILURE DUE TO IMPROPER CLEANING!

The control unit may be damaged due to improper cleaning processes and cause unintended reactions throughout the complete system.

- ▶ The control unit should not be cleaned with a high-pressure cleaner or a steam jet.
- ▶ Remove the control unit for fault removal and cleaning.

10.1. Cleaning

INFORMATION



Damages due to improper cleaning agents!

The control unit may be damaged when cleaning it with high-pressure cleaners, steam jets, aggressive solvents or scouring agents.

- ▶ Do not clean the control unit with high-pressure cleaners or steam jets. Do not use any aggressive solvents or scouring agents.

Only clean the control unit in a clean environment free of dust.

1. Please follow all safety instructions and deenergize the complete system.
2. Do not use any aggressive solvents or scouring agents.
3. Let the control unit dry.
 - ▶ Install the clean control unit pursuant to the instructions in Chapter 7 Electric Installation.

10.2. Fault Removal

1. Please ensure that fault removal measures are performed in a safe environment (horizontal and solid ground, no weather impact)
2. Please follow all safety instructions and deenergize the complete system.
3. Check that the system is intact.
 - ▶ Remove damaged control units and dispose of in accordance with national environmental regulations.
4. Remove the mate plug and/or remove the control unit from the slot.
5. Check all flat plugs, connectors and pins for mechanical damages due to overheating, insulation damage and corrosion.
 - ▶ Damaged control units and control units with corroded contacts must be removed and disposed of in accordance with national environmental regulations.
 - ▶ Dry control unit and contacts in case of moisture.
 - ▶ If needed, clean all contacts.

Faulty operations

In case of faulty operations, check the software, circuitry and parameter settings.

11. Disassembly and Disposal

11.1. Disassembly

Disassembly and disposal may only be performed by qualified staff (see Chapter 2.2 Staff Qualifications). Disassembly of the unit may only be performed in idle condition.

WARNING!



SUDDEN MOVEMENTS OF COMPLETE SYSTEM OR OF COMPONENTS

Danger due to unprotected moving components.

- ▶ Before performing any work, shut down the complete system and secure it against unintended restart.
- ▶ Before disassembling the system, please make sure that the complete system and all parts of the system are in a safe state.

CAUTION!



DANGER OF BURNS!

The casing of the control unit may exhibit an elevated temperature.

- ▶ Please do not touch the casing and let all system components cool down before working on the system.

Control unit with flat plugs (pursuant to ISO 7588-1: 1998-09)

1. Gently unplug the control unit vertically from the slot.

Control unit with plug connectors

1. Unlock the lock and/or the locking catch of the mate plug.
2. Gently remove the mate plug.
3. Loosen all screw connections and remove the control unit.

11.2. Disposal

Once the product is disused, it must be disposed of in accordance with the national environmental regulations for vehicles and work machines